

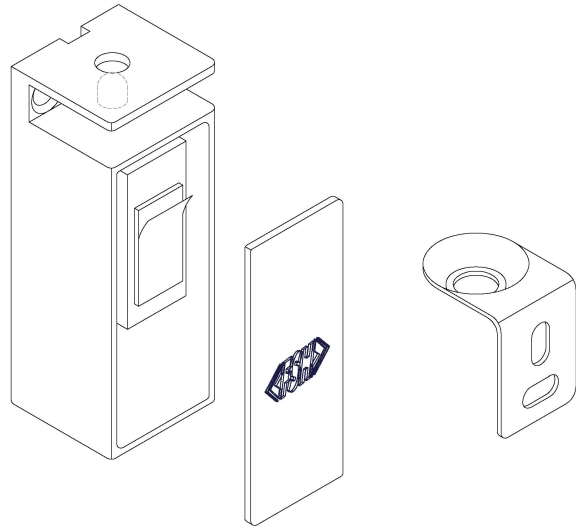


FCL10 Non-monitored Cabinet Lock Installation Instructions

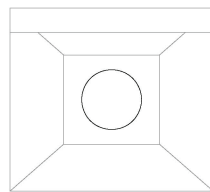
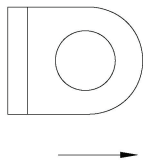
Input: Selectable 12/24VDC

Current: 12VDC/300mA, 24VDC/150mA

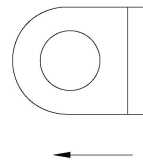
Function: Selectable Power To Open/Power To Lock
Default factory setting is Power To Open



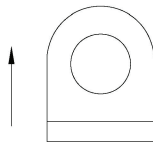
Lock from side:



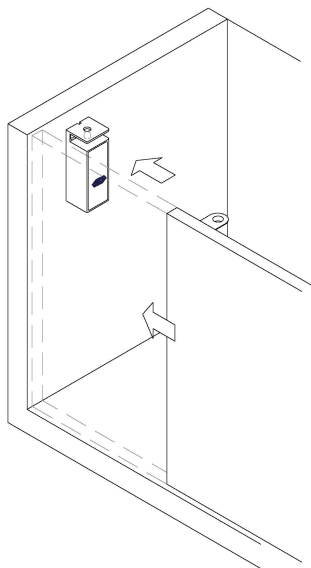
Lock from side:



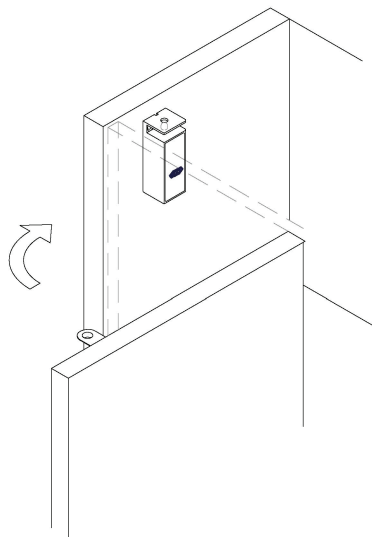
Lock from front:



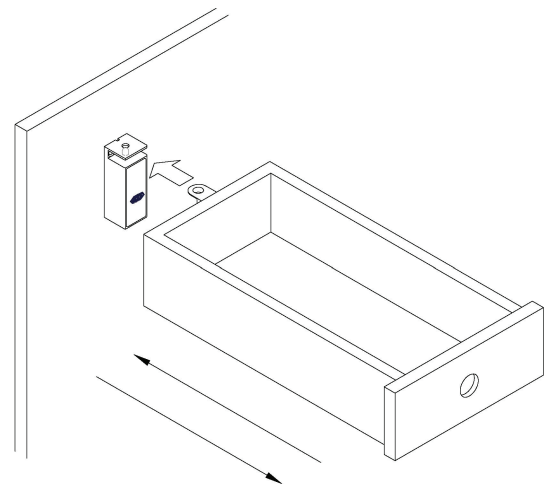
3-dimensional locking application:



Lock from front in sliding door



Lock from front in a swing door

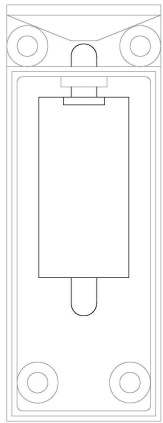


Lock from front in sliding draw

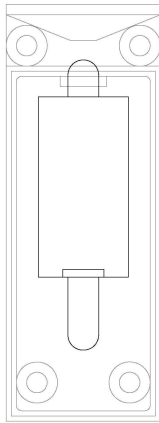


FCL10 Non-monitored Cabinet Lock Installation Instructions

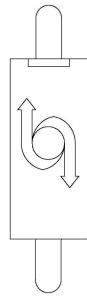
Function select process: Power To Open <-> Power To Lock



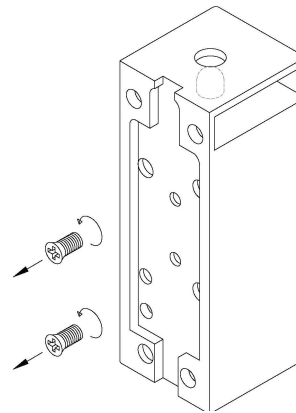
Solenoid position
PTL mode



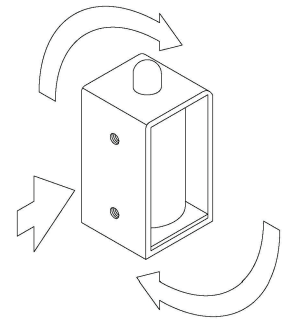
Solenoid position
PTO mode



SOLENOID



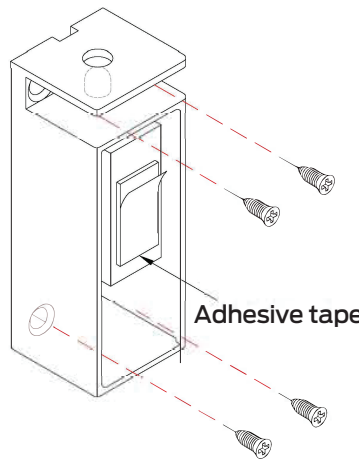
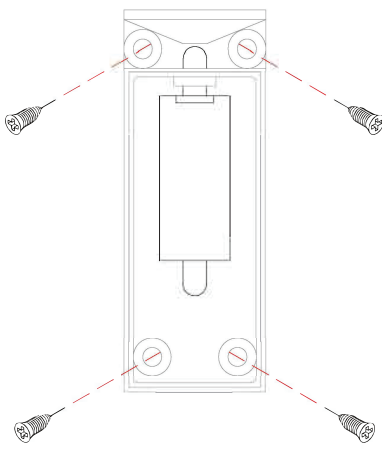
Remove holding screws



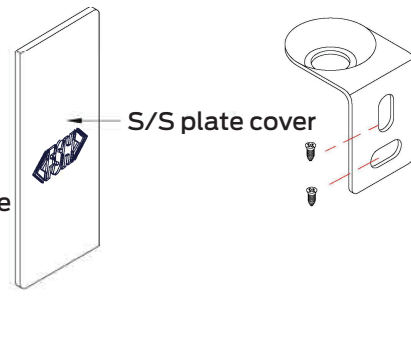
Reverse solenoid direction

Mounting process:

1. Set the lock to the required function mode (Power To Open/Power To Lock)
2. Route the wiring through the correct hole as per the wire connection diagram, making sure that the wiring does not obstruct solenoid movement
3. Secure the solenoid with the holding screws and mount the cabinet lock as required
4. Check lock functionality with power connected
5. Remove the adhesive protective strip on the double sided tape attached to the solenoid and stick on the stainless steel plate cover

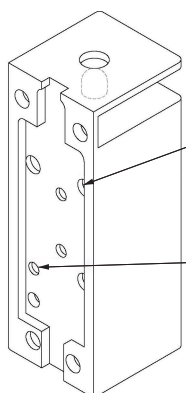


Adhesive tape



S/S plate cover

Wire connection:



Power To Lock
cable hole

Power To Open
cable hole

Wire connection: (connect provided varistor according to diagram)

| 12VDC | | 24VDC | |
|-------|--|-------|--|
| Red | | Red | |
| Black | | Black | |
| Blue | | Blue | |
| White | | White | |



1800 098 094
info.au@allegion.com
fshlocking.com.au

©Allegion 2022